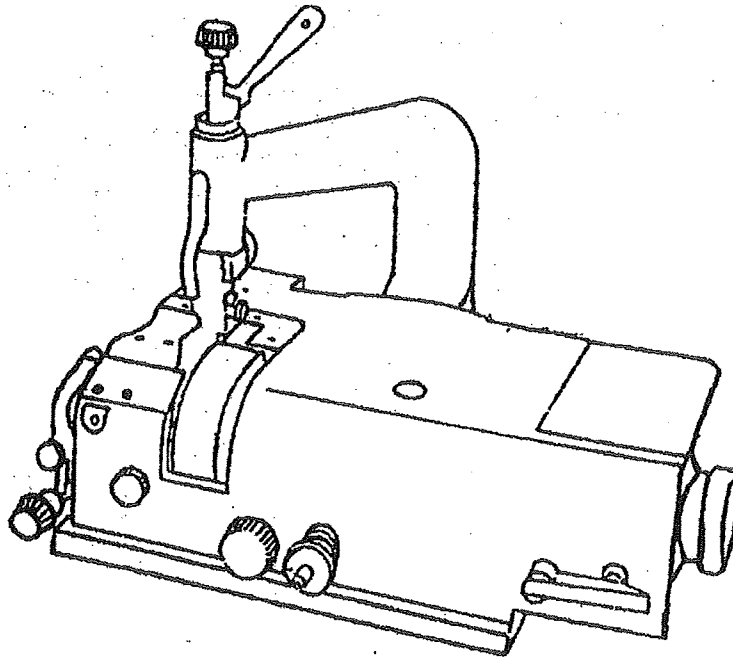


CONSEW[®]
CONSOLIDATED SEWING MACHINE CORP.

MODEL

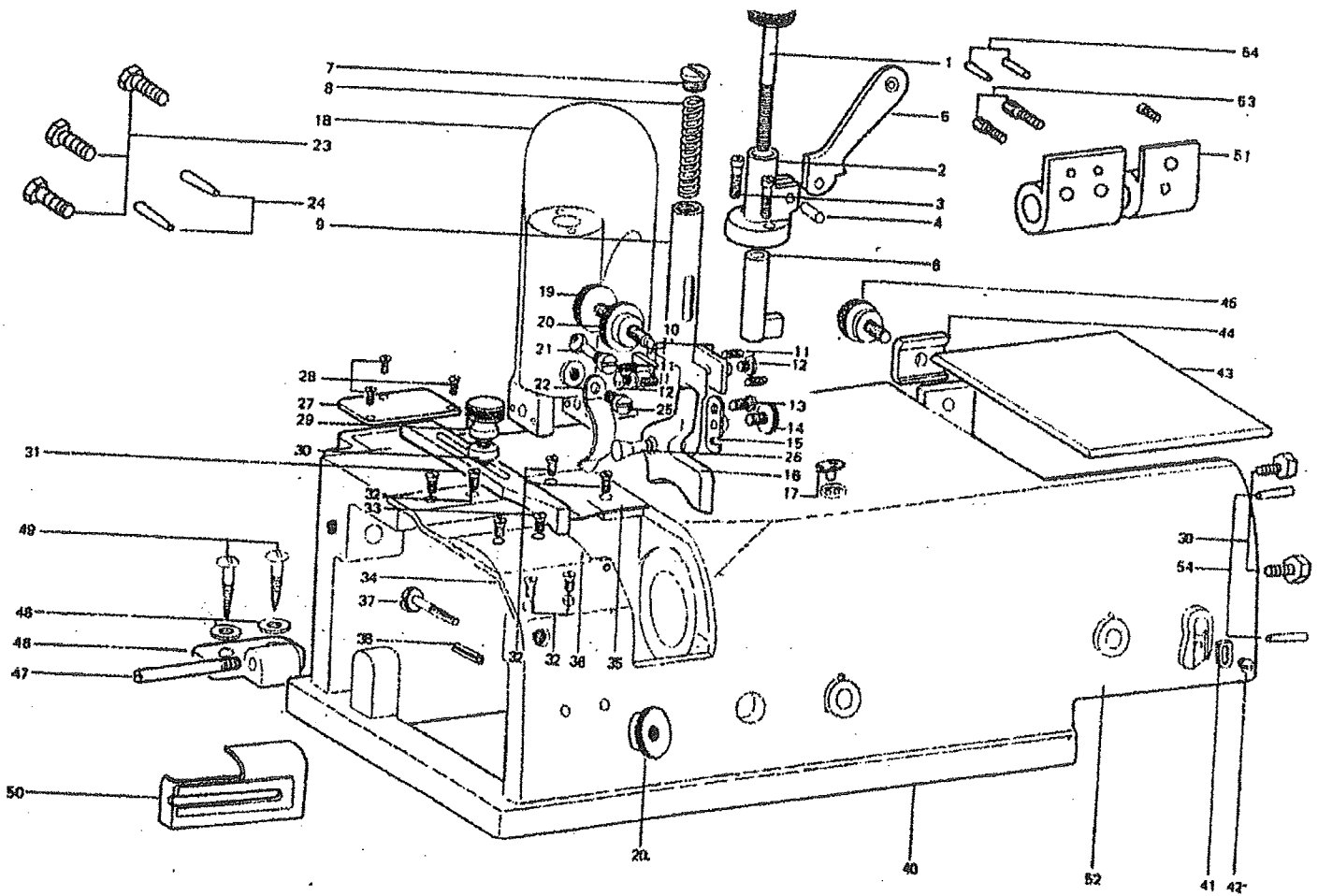
DCS-S3



LEATHER SKIVING MACHINE

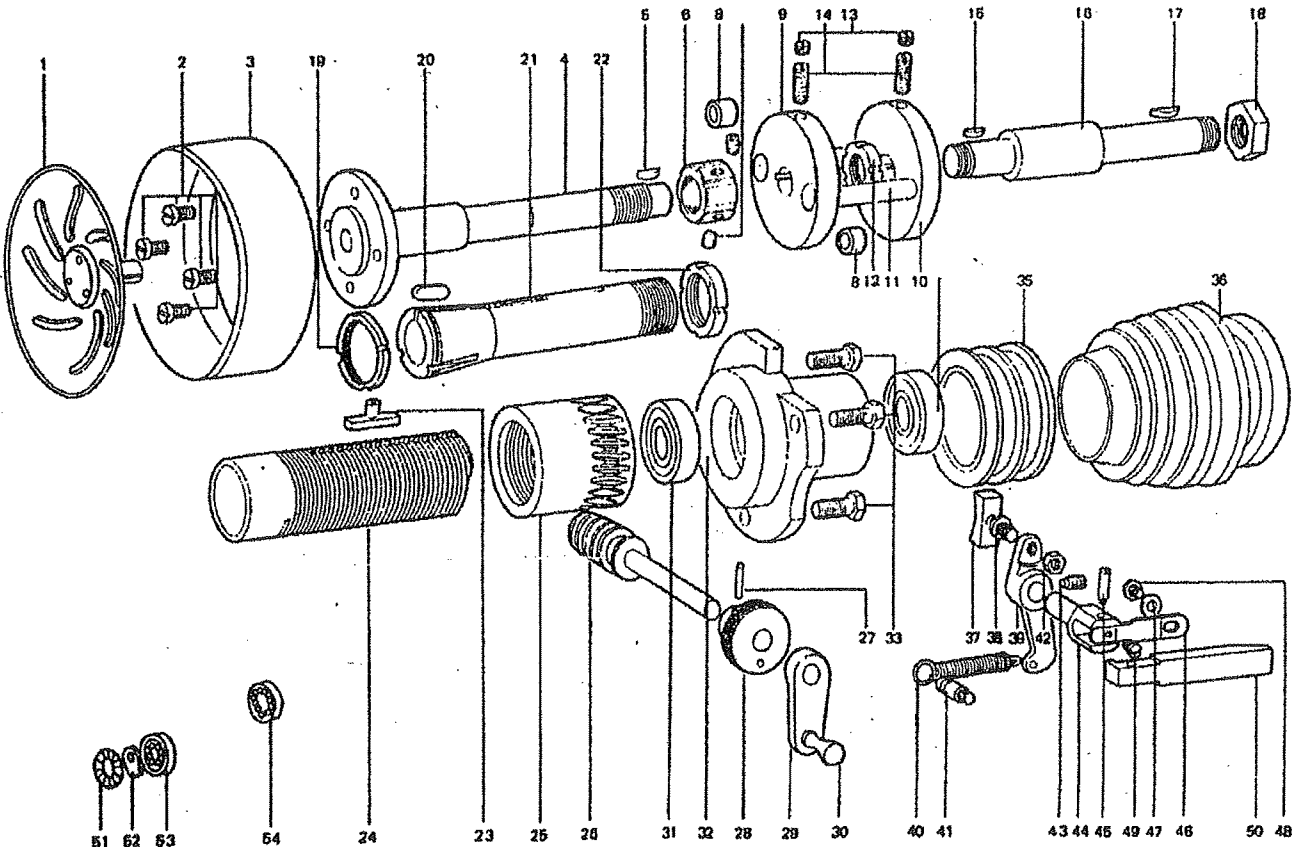
PARTS BOOK

1. PRESSER FOOT AND OUTER ATTACHMENTS



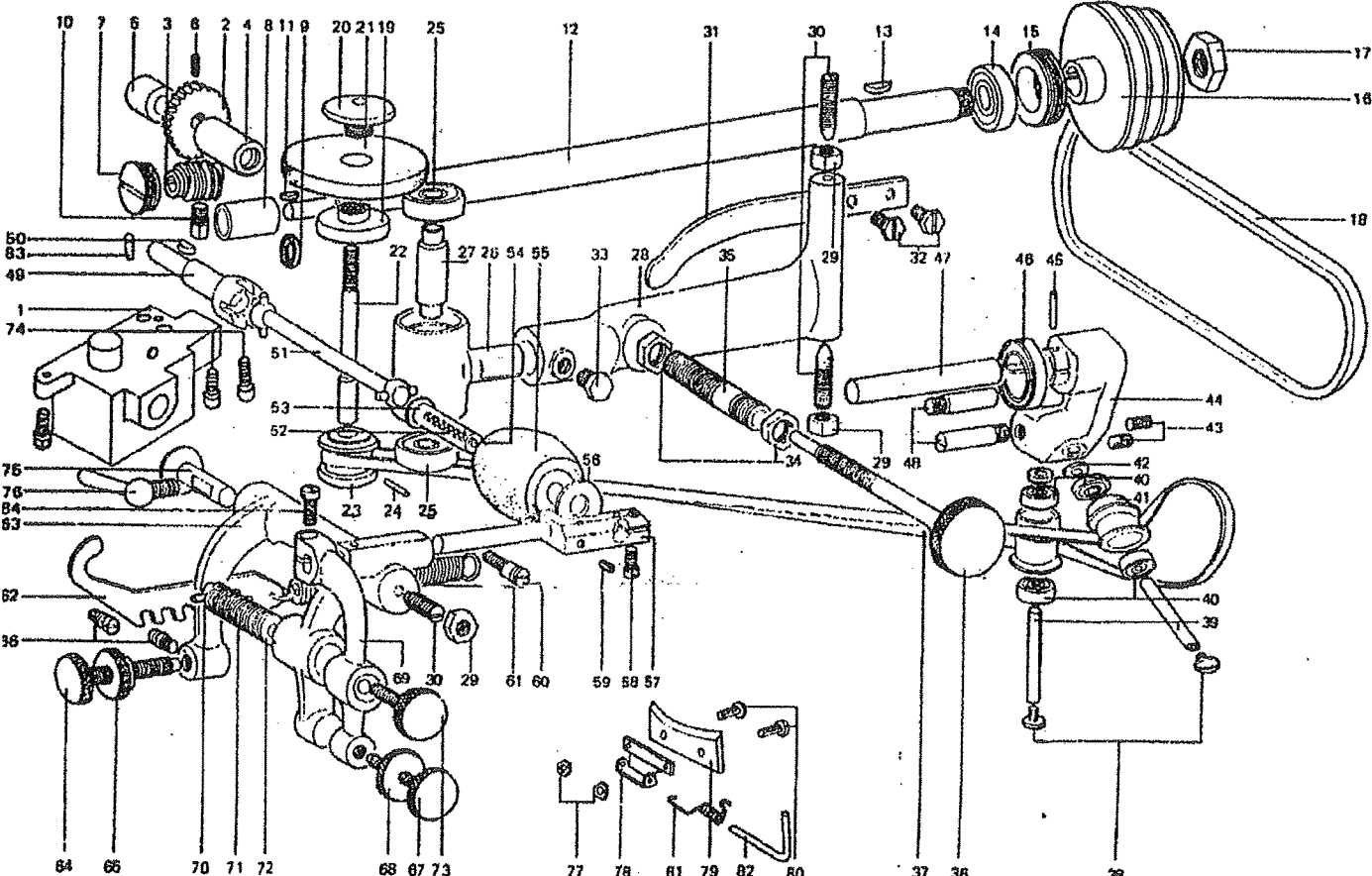
Item No.	Part No.	Description
1-1	1157	Presser bar adjusting screw
1-2	1156	Presser bar lifter bracket (2)
1-3	28156	Presser bar lifter bracket screws (2)
1-4	1316	Presser bar lifter pin
1-5	1153	Presser lifter
1-6	1155	Presser bar lifter lever
1-7	1150	Presser bar cover screw
1-8	1151	Presser bar spring
1-9	1145	Presser bar
1-10	1004	Presser foot slide plates (2)
1-11	11/64	Presser foot slide plate screws (4)
1-12	31628	Presser foot slide plate screw
1-13	31628-10	Presser foot shaft hook metal hinge screw
1-14	1144	Presser foot shaft hook metal set screw
1-15	1132	Presser foot shaft shook metal screw
1-16	1140	Presser loot 50 mm
1-17	1007	Oil cap
1-18	1001	Arm
1-19	1085	Presser foot adjusting screw
1-20	1086	Presser foot adjustable screw nuts (2)
1-21	1152	Presser bar spring pin
1-22	1140	Presser foot spring
1-23	1625	Inner hex head screw
1-24	1628	Taper pin
1-25	3163	Presser foot spring screw
1-26	1141	Presser foot shaft
1-27	1122	Worm chamber plate
1-28	9634	Flat screw
1-29	1009	Ruler set screw
1-30	1008	Ruler set screw washer
1-31	1006	Ruler
1-32	4096	Slide plate screws (6)
1-33	4097	Slide plate screws (2)
1-31	1003	Slide plate A
1-35	1004	Slide plate B
1-36	1005	Slide plate C
1-37	1563	Waste feeder screw
1-38	6254	Waste feeder stop pin
1-39	1562	Hex head slotted screws, base plate (2)
1-40	1002	Bed
1-41	1036	Belt cover plate
1-42	1036-40	Belt cover plate screw
1-43	1037	Belt cover lid
1-44	1038	Belt cover lid stopper
1-45	1009	Ruler set screw
1-46	2001	Hinges (2)
1-47	2002	Hinge pins (2)
1-48	2002-16	Hinge screw washers (4)
1-49	2002-30	Hinge screws (4)
1-50	1105	Waste feeder metals (set)

2. KNIFE AND RELATED PARTS



Item No.	Part No.	Description
2-1	1021	Leather peeler cover
2-2	1610	Knife set screws (4)
2-3	1010	Knife
2-4	1011	Knife shaft
2-5	3013	Knife shaft key
2-6	81875	Knife shaft nuts (2)
2-7		
2-8	1023	Rubber bushings (2)
2-9	1015	Pulley shaft flange holder
2-10	1033	Pulley shaft flange
2-11	1034	Flange shafts (2)
2-12	428x16x75	Pulley shaft flange nut
2-13	9/32x28x4.5	Pulley shaft flange screws (B) (2)
2-14	9/32x28x18	Pulley shaft flange screws (A) (2)
2-15	3x10	Pulley shaft key (small)
2-16	1031	Pulley shaft
2-17	3x16	Pulley shaft key (large)
2-18	M16 pXP1.5	Hexagonal nut (A)
2-23	1020	Knife shaft lead pipe key
2-24	1013	Knife shaft lead pipe
2-25	1014	Knife shaft worm wheel
2-26	1016	Knife shaft worm
2-27	3x18	Taper pin
2-28	1017	Knife adjusting knob
2-29	1018	Knife adjusting handle
2-30	1020	Knife adjusting handle knob
2-31	6203 Z	pulley shaft hearings
2-32		
2-33	5/16"x24x21	pulley shaft metal screws (3)
2-34		
2-35	1035	Clutch
2-36	1030	Pulley
2-37	1049	Clutch slide block
2-38	1040	Clutch slide block screws (3)
2-39	1043	Clutch arm
2-40	1024	Clutch spring
2-41	1046	Clutch spring hook
2-42	1/4"x40	Clutch slide block screw nut
2-43	15/64x28x81	Clutch lever screw
2-44	1041	Clutch lever shaft
2-45	1160	Clutch arm server shaft
2-46	1042	Clutch lever spring
2-47		Clutch lever spring hinge washer
2-48	9/64"x40x6	Clutch lever spring hinge screw
2-49	9/64"x40x6	Clutch lever spring screw
2-50	1039	Clutch lever
2-51	NTB 2035	Truss bearing
2-52	20x35x1	Flat gasket
2-53	6004 ZZ	Bearing
2-54	6023 ZZ	Bearing

3. GRINDSTONE AND ROLLER RELATED PARTS

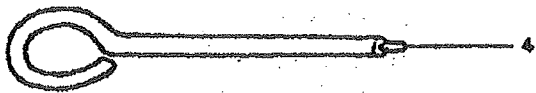


From the library of: Diamond Needle Corp

Item No.	Part No.	Description
3-1	1116	Worm wheel box
3-2	1115	Main shaft worm gear wheel
3-3	1119	Main shaft worm gear
3-4	1120	Roller driving shaft metal (1)
3-5	9/64"x40x90	Roller driving shaft metal (2)
3-6	1123	Main shaft worm gear wheel screw
3-7	1117	Main shaft worm gear chamber cover screw
3-8	121803	Main shaft front bushing
3-9	1123	Main shaft worm gear chamber oil seal
3-10	2.5x10	Main shaft worm gear chamber screw
3-11	1110	Main shaft key (1)
3-12	3x16	Main shaft
3-13	6002 ZZ	Main shaft key (2)
3-14	M63x 10P1.5	Main shaft bearing
3-15	1111	Main shaft bearing holder screw
3-16	M14xP1.5	Main shaft pulley
3-17	3 starK20	Hexagonal nut B
3-18	1051	Main shaft belt
3-19	1052	Grindstone set screw
3-20	1050	Grindstone set screw nut
3-21	1053	Grindstone
3-22	2.5x20	Grindstone shaft
3-24	6200 Z	Grindstone shaft pulley taper pin
3-25	1056	Grindstone shaft bearings (2)
3-27	1055	Grindstone shaft bracket
3-28	1057	Grindstone shaft bearing roller
3-29	5/16x24	Grindstone shaft bracket arm
3-30	1731	Grindstone shaft bracket arm center screw nuts
3-31	1069	Grindstone shaft bracket arm center screws
3-32	15/64x24x14	Grindstone shaft bracket arm spring
3-33	5/16x24x14	Grindstone shaft bracket arm spring screws
3-34	½"x28	Grindstone adjusting screw pipe nuts (2)
3-35	1066	Grindstone adjusting screw pipe
3-36	1058	Grindstone adjusting screw
3-37	1059	Grindstone shaft belt
3-38		
3-39	1063	Belt guide pulley screws (2)
3-40	626 Z	Belt guide pulley shafts (2)
		Belt guide pulley bearings (4)
3-41	1062	Belt guide pulleys (2)
3-42	1063	Belt guide pulley washers (2)

Item No.	Part No.	Description
3-43	15/64x28x8	Belt guide pulley shaft screws (2)
3-44	1060	Belt guide bracket
3-45	3x18	Belt guide bracket taper pin
3-46	1067	Belt guide bracket spring
3-47	1061	Belt guide bracket shaft
3-48	1065	Belt guide bracket turn stoppers
3-49	1118	Roller driving shaft
3-50	3x13	Roller driving shaft key
3-51	1121	Roller driving shaft joint
3-52	1094	Roller shaft oil wick
3-53	1081	Roller shaft
3-54		Roller shaft oil scalping
3-55	1080	Roller
3-56	1082	Roller washer
3-57	1083	Roller bracket
3-58	15/64x28x10	Roller shaft screw
3-59	11/64x40x3.5	Waste clear metal shaft screw
3-60	1098	Roller bracket arm spring hooks (2)
3-61	1095	Roller bracket arm spring
3-62	1096	Roller bracket arm spring hook metal
3-63	1091	Roller bracket arm
3-64	1092	Roller bracket arm adjusting screw
3-65	1093	Roller bracket arm adjusting screw nut
3-66	1097	Roller bracket arm spring hooks (2)
3-67	1085	Roller bracket turning arm adjusting screw
3-68	1086	Roller bracket turning arm adjusting screw nut
3-69	1083	Roller bracket turning arm
3-70	1088	Roller bracket turning arm spring stopper
3-71	1087	Roller bracket turning arm spring
3-72	1090	Roller bracket turning arm spring adjusting nut
3-73	1089	Roller bracket turning arm spring adjusting nut screw
3-74	1/4x20x20	Set screw (3)
3-75	1099	Roller bracket arm center pin
3-76	1100	Roller bracket arm center pin screw
3-77	9/64x10	Waste clear metal leather nuts (2)
3-78	1101	Waste clear metal
3-79	1104	Waste clear metal leather
3-80	9/64x40	Waste clear metal leather screws (2)
3-81	1103	Waste clear metal spring
3-82	1102	Waste clear metal shaft
3-83	4x22	Taper pin
3-84		Roller shaft screw

4. ACCESSORIES



7

6



- A 40m/m
- B 30m/m
- C 25m/m

Item No.	Part No.	Description
3-1	3001	Grindstone dresser
4-2	3002	Grindstone spanner
3-3	3004	Knife shaft spanner
4-4	3005	Knife interior cover remover
4-5	3006	Bar type grindstone
4-6	3007	Screwdriver (large)
4-7	3008	Oiler
1-16 A	1130 A	Presser foot 50 mm
1-16 B	1140 B	Presser foot 30 mm
1-16C	1140 C	Presser foot 25 mm
1-47	2002	Hinge pins (2)
1-36	2001	Hinges (2)
1-48	15x6.3x1.6	Hinge set screw washers (2)
1-39	6x30	Hinge set screws (4)
2-29	1018	Knife adjusting handle
2-30	1019	Knife adjusting handle
4-5	3006	Bar type grindstone

Consolidated Sewing Machine Corp.
Website: www.consew.com

MAIN office

131 W. 25th Street
New York, NY 10001
Tel: 212-741-7788
Fax: 212-741-7787
e-mail: consew@att.net

Miami, FL

4013 N.W. 79th Avenue
Miami, FL 33166
Tel: 305-471-0200
Fax: 305-471-0243
e-mail: miamisales@consew.com

Los Angeles, CA

2320 South Hill Street
Los Angeles, CA 90007
Tel: 213-745-8844
Fax: 213-745-8855
e-mail: lasales@consew.com